

# FLS C6.30

## INDUCTIVE CONDUCTIVITY TRANSMITTER



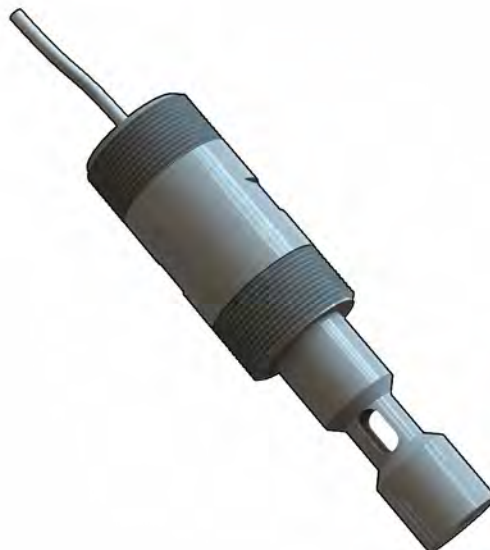
FLS C6.30 is a family of inductive conductivity transmitters which are made by a 4-20mA output device (two wire technology) integrated onto an inductive conductivity sensor. This type of measurement technology allows a broad range of applications especially to measure high values of conductivity (till 1000 millisiemens) in aggressive fluids (C-PVC is the only wetted material). As no electrodes are directly in contact with liquid, a reliable and stable measurement is guaranteed for a long operating time. A proper automatic temperature compensation (ATC) is granted by a Pt100 integrated into instrument body. The isolated 4-20mA output is perfect for direct connections to PLCs or data loggers without any extra interfaces. Transmitter as well as temperature sensor are supplied already calibrated.

### APPLICATIONS

- Water treatment
- Waste water treatment
- Cooling towers
- Scrubber systems
- Metal finishing Coating and corrosion fluid measurement

### MAIN FEATURES

- Corrosion & coating resistant
- Compact transmitter
- No calibration required
- Easy installation
- Pt100 sensor integrated
- Suitable for submersible installation



## TECHNICAL DATA

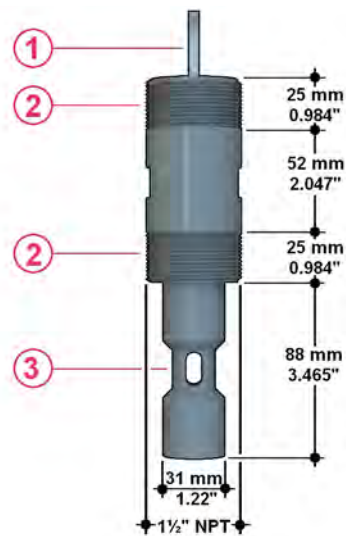
### General

- Body Material: C-PVC
- Body length: 207mm
- Enclosure: IP68
- Power supply: 10-30 VDC regulated
- Max Power Consumption: <22mA
- Max Working pressure/Working Temperature:
  - 10bar (145psi) @ 25°C (77°F)
  - 6bar (87psi) @ 50°C (122°F)
- Process connection: 1 ½" male NPT

### Standards & Approvals

- Manufactured under ISO 9001
- Manufactured under ISO 14001
- CE
- RoHS Compliant
- EAC

## DIMENSIONS



- 1 Cable:3 mt (9 ft.)
- 2 1 ½" male NPT
- 3 C-PVC coating

## ORDERING DATA

C6.30 Inductive Conductivity Transmitters						
Part No.	Description /Name	Applications/ Operative Range	Cell Constant	Connection	Installation	Weight (gr.)
C6.30.01	C-PVC Inductive Conductivity Transmitter with Temperature Sensor included	0-10 mS/cm	-	3 mt	1 1/2" NPT male threaded	550
C6.30.02	C-PVC Inductive Conductivity Transmitter with Temperature Sensor included	0-100 mS/cm	-	3 mt	1 1/2" NPT male threaded	550
C6.30.03	C-PVC Inductive Conductivity Transmitter with Temperature Sensor included	0-1000 mS/cm	-	3 mt	1 1/2" NPT male threaded	550